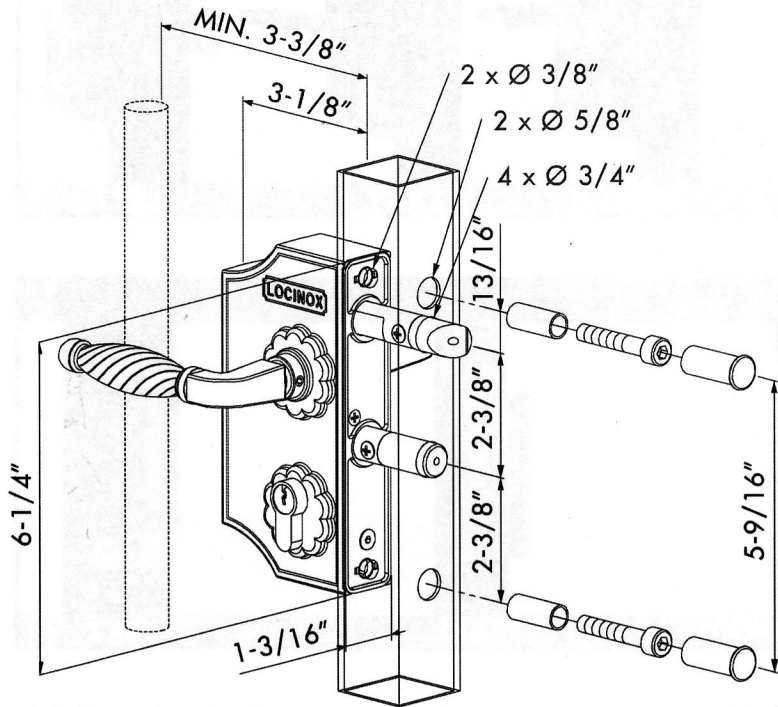


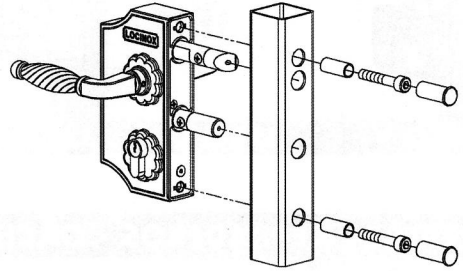
LOCINOX[®]

WWW.LOCINOX.COM

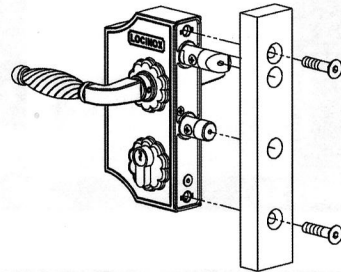
CODE: LAKY-F2



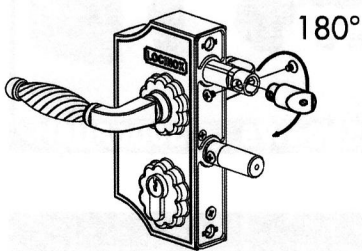
Tube mount application



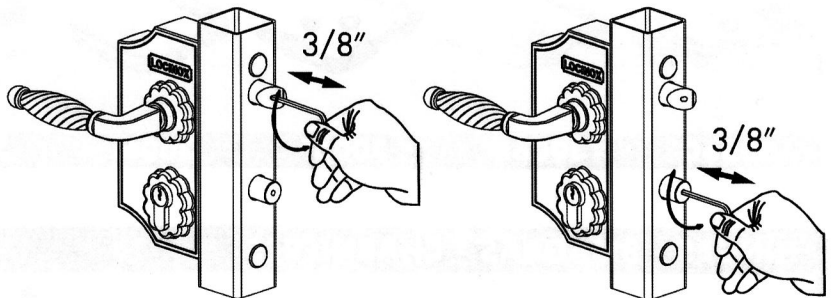
Flat mount application



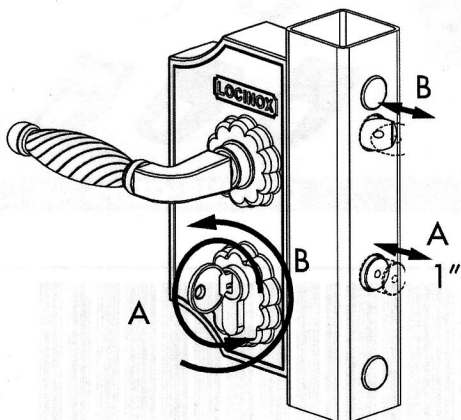
Left / Right



Throw adjustment 3/8"



Key operated (B) & Throw (A)



Keeper installation drawing

